

COMPATIBLE WITH A WIDE RANGE OF GRIPPERS

DUAL-PIVOT JOINTS

SCARA PARTS-TYPE ARTICULATED BOOM SEGMENTS

**PM1400**

**[ Mobile materials handling boom 70 kg ]**

Equipment compatible with a wide range of grippers: lifting tubes, hoists, etc.  
For pallet unloading operations, machine loading, maintenance, etc.

- Fluid articulations
- Full-safety travel
- Easy to handle, even in confined spaces
- Self-contained power unit



STEERING BAR HANDLE WITH FORWARD/REVERSE CONTROL

BATTERY POWERED DRIVEWHEEL

COMPACT BALLASTED BASE



**CAPACITY 70 kg**

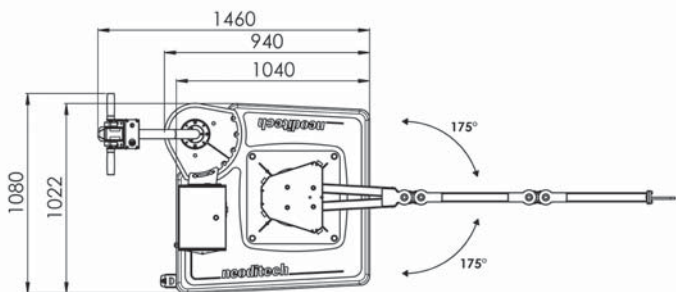
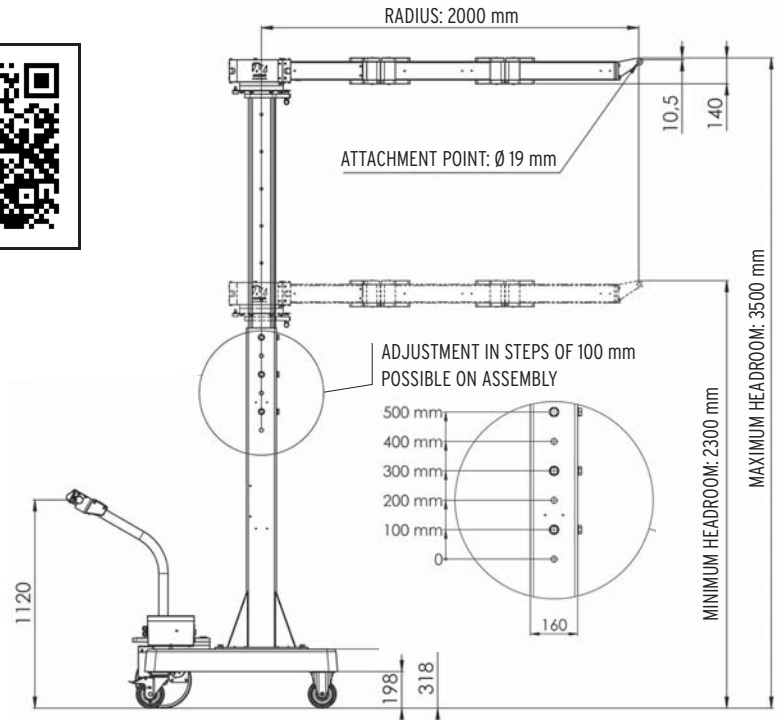
# PM1400 Technical data



Videos under:

- Manoeuvrability/fluidity
- Panel flipping
- Lifting with magnetic hoist
- Magnetic rotation/tilting tool
- Breaking down bag pallets

| Reference   | PM1400                                   |
|---|--|
| Number of axes:   | 5  |
| Version:  | 3 segments, 2 dual-pivot joints          |
| Operating radius:   | 2 metres                                 |
| Load capacity at 2 metres:                                    | 70kg, weight of gripper included         |
| Vertical travel changes according to gripper                  |  |
| Swivel base orientation range:                                | 350°                                     |
| Fluid manual movements in the horizontal plane                |  |
| Height:   | 2300–3500mm (adjustable when installing) |
| Weight of boom assembly:                                      | 950kg                                    |
| Mobile base with battery powered drivewheel                   |  |
| Steering bar with control handle and anti-crush safety device |  |
| Forward/reverse control; steering bar orientation range:      | 270°                                     |
| For travel on flat floors, with no obstacles or steps         |  |
| Optional version:   |  |
| 4 arm segments, 3 dual-pivot joints                           |  |
| radius  | 2670mm                                   |
| SWL   | 50kg                                     |



### Self-contained energy pack

|   |  |
|---|--|
| Guide data only; actual data will vary according to use and application                                       |  |
| Overall battery life: 3600 charge cycles  |  |
| Lead batteries – 2 x 12V – 10Ah – Heavy discharge protection  |  |
| 8-hour charge life in continuous use  | Recharge time: 2 hours / 230V power outlet |
| Leave batteries on charge when idle to maintain their energy at a high level and increase their service life. |  |
| Never use more than 80% of their full charge.   |  |

Edition No: PM1400-EN-APRIL/2018. Photos not contractually binding. The author has applied his best efforts to checking this document and shall not be held liable for any errors or omissions. DESIGN / www.freddy-joncheray.com