

by neoditech  
**ERGO360°**

**[Ergonomic work positioner]**



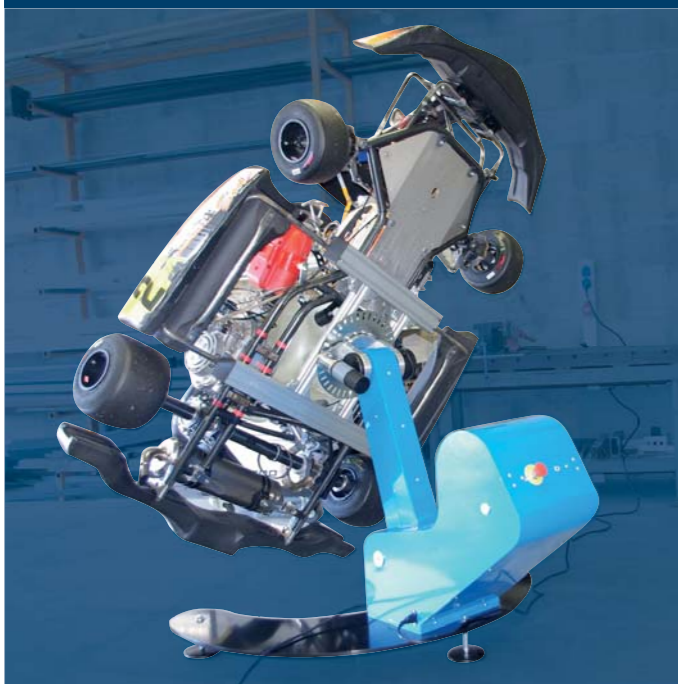
**CAPACITY  
100 kg**

- Workpiece orientation at any angle via a control interface
- Supple movements thanks to its electric actuators
- Crescent shaped base for optimum access to the workpiece
- Several positions can be stored in memory, making it comfortable and easy to use
- Mobile and compact

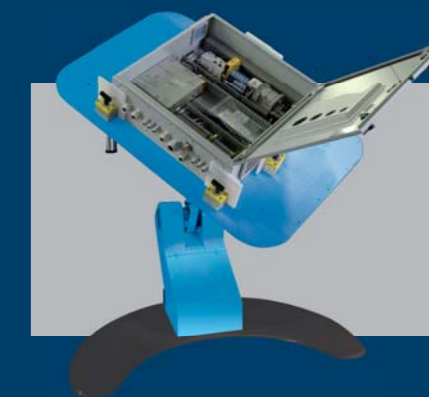


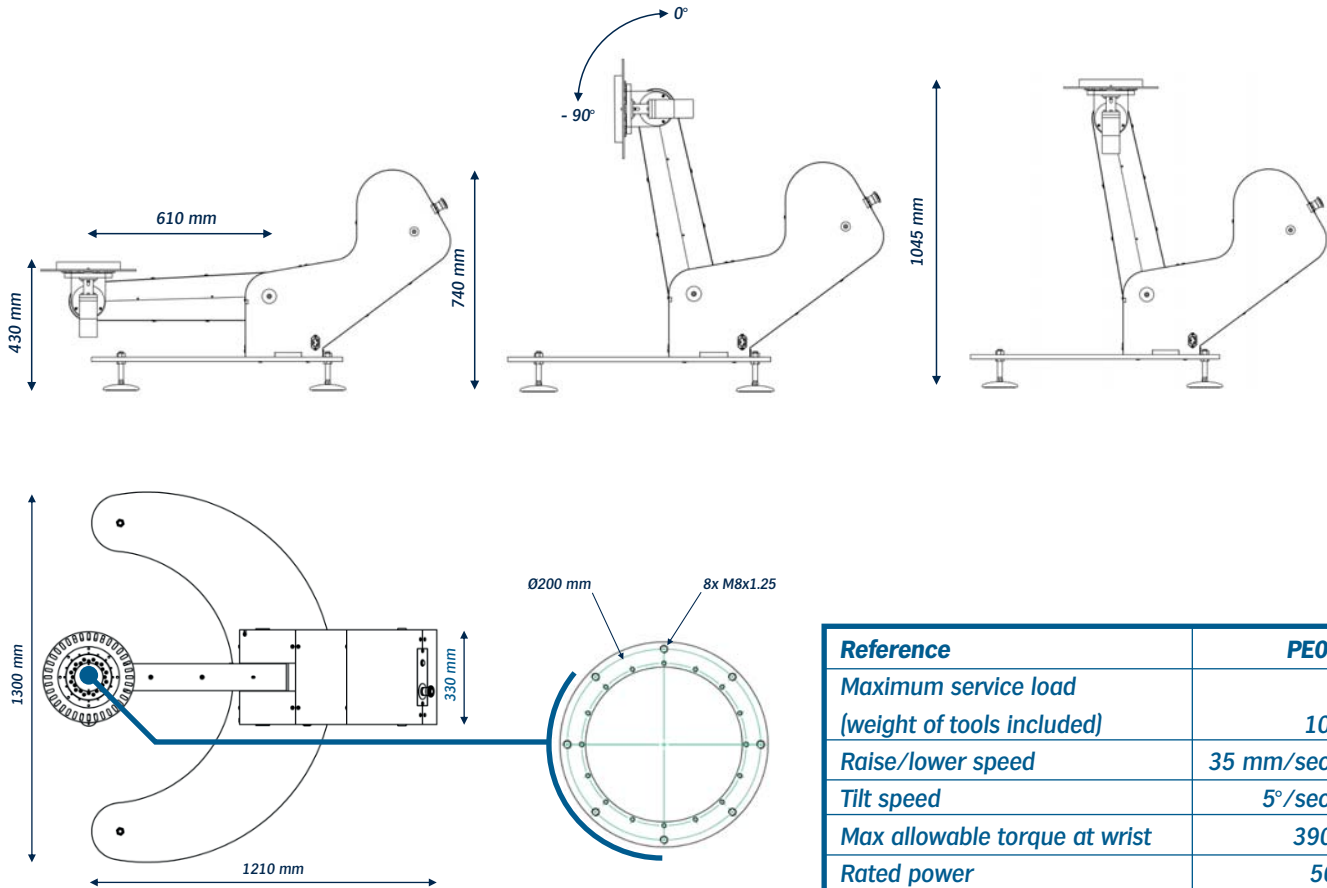
by **neoditech**  
**ERGO360°**

## PREVENTING MSDs



With 100 kg capacity, this assembly station can orient parts through multiple angles: the part can be raised, lowered, revolved, tilted, etc. The workpiece position is made to match the user's requirements and physique rather than the opposite. Operations are thus performed with a greater level of ergonomics and comfort. The ERGO360° positioner's electric actuators provide very supple movements. Control is via a touchscreen and features a memory that can store several positions. It lends itself to numerous applications in industry: component assembly and fitting, electrical wiring, deburring of parts, etc. As with all products in the Neoditech range, the ERGO360° positioner is mobile.





Reference	PE0501
Maximum service load (weight of tools included)	100kg
Raise/lower speed	35 mm/second
Tilt speed	5°/second
Max allowable torque at wrist	390Nm
Rated power	500W
Number of user program slots	5
Number of positions programmable per user	3
Weight	200kg
Patented solution	